

THIS DRAWING IS UNPUBLISHED
 RELEASED FOR PUBLICATION 2015
 © COPYRIGHT 1999 BY TE CONNECTIVITY ALL RIGHTS RESERVED.

P	LTR	DESCRIPTION	DATE	DWN	APVD
NC		NEW RELEASE PER E.O. P15416	05SEP1997	SB	RDR
A		REVISED PER E.O. P15904	12FEB1999	RO	RDR
B		REVISED PER E.O. P17090	22JAN2001	AR	RDR
C		REVISED PER ECO-14-019072	23FEB2015	JA	DM



- 6. PART MODIFICATION: THREADED ADAPTER
- 5. CONDUIT ADAPTER ACCEPTS EITHER TYPES:
 A. CONDUIT ADAPTER CAP NUT (CN21) AND SEAL RING (SRN21)
 B. BACKSHELL (M902-2243), COMPRESSION NUT (M902-2053), CABLE Ø .430-.570 [10.92-14.78]
 C. BACKSHELL (M902-2244), COMPRESSION NUT (M902-2054), CABLE Ø .570-710 [14.78-18.03]

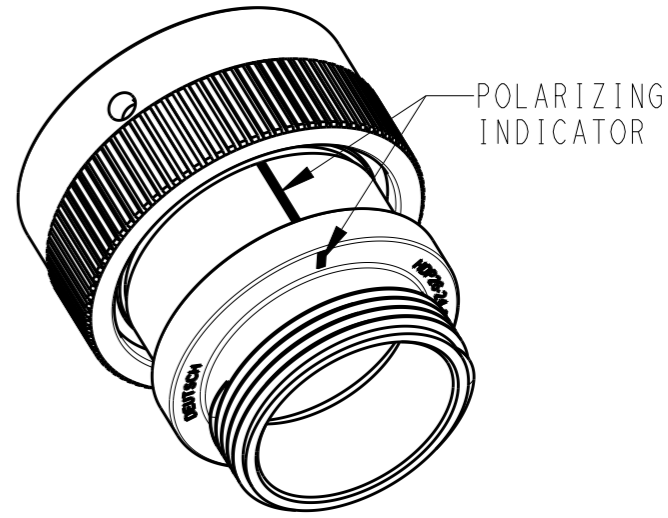
- 4. MATERIAL: PLUG HOUSING/COUPLING RING: PA66 GF10 (BLACK)
 CONDUIT ADAPTER: PA66 GF10 (GREEN, GRAY, BLUE)
 GROMMET: SILICONE (ORANGE-RED)

- 3. SEE 0425-021-0000 APPLICATION SPECIFICATION
 A. RECOMMENDED WIRE INSULATION RANGE
 B. CONTACT REMOVAL TOOLS

- 2. THIS PLUG MATES WITH HDP24-24XXP/SX-XXXX RECEPTACLE
 X = SEAL TYPE (N,T,E)
 XX = INSERT ARRANGEMENT
 XXXX = MODIFICATION

- 1. SEE CUSTOMER DRAWING 0425-014-2400 FOR AVAILABLE INSERT ARRANGEMENTS AND PART NUMBERS.

NOTES:



SCALE 1:1

THIS DRAWING IS A CONTROLLED DOCUMENT.		DWN	19 JAN 1999	 TE Connectivity	NAME PLUG, COUPLING RING SIZE 24, -L015 MOD HDP SERIES
DIMENSIONS: INCHES [mm]		CHK	15 JAN 2001		
TOLERANCES UNLESS OTHERWISE SPECIFIED:		APVD	15 JAN 2001		
0 PLC ± 1 PLC ± 2 PLC ± 3 PLC ±.015 [0.38] 4 PLC ± ANGLES ±0°30'0"		PRODUCT SPEC	0425-021-0000	SIZE	A3
MATERIAL	4	FINISH	N/A	APPLICATION SPEC	3
		WEIGHT		RESTRICTED TO	
		Customer Drawing		SCALE	2:1
				SHEET	1 OF 1
				REV	C